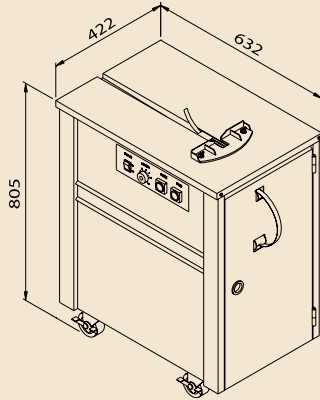


# TP-203

## Mini-type model

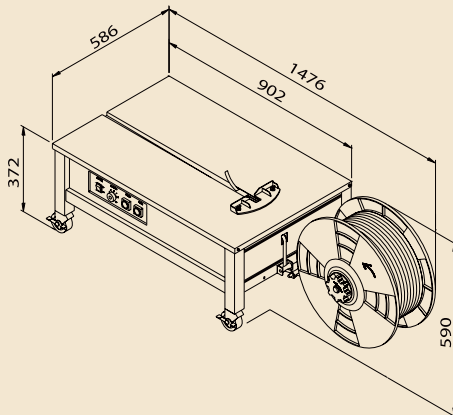
- Designed specifically for the use in office, bank, post office, book and department store, etc.
- Equipped with **Smoke exhaust system**
- Other features are the same as TP-202



# TP-202L

## Low-table model

- Designed to accommodate bulky or heavy packages
- Other features are the same as TP-202



## Options

- Safety switch under table top
- Adjustable cooling time (0-2 sec.)

## TP-203 / TP-202L Technical Data

**Strap Width** 6 mm-15.5 mm

**Strap Tension** TP-203: 9-30 kg

TP-202L: 15-45 kg

**Net Weight** 80 kg

**Electrical Requirements**

110V, 220V, 230V 50/60Hz 1PH